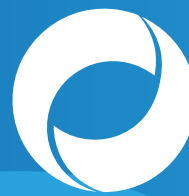


# Electrical Conduit Solvent Weld PVC Schedule 40



# PTM

Pipes that connect  
solutions



Electrical

## CHARACTERISTICS AND ADVANTAGES

### ● CORROSION RESISTANT

PTM's® Electrical Conduit Solvent Weld PVC Pipe is not affected by galvanic or electrolytic corrosion, nor by any type of soil. Unlike other types of pipe solutions, it does not require expensive cathodic or epoxy coatings.

Structurally sound bell-end joints provide a rigid connection and smooth wall interior allows for easy pull through for wires.

### ● JOINT AND INSTALATION

PTM's® Electrical Conduit Solvent Weld PVC Pipe is used to give protection of electrical wiring in underground or between wall networks.

### ● QUALITY ASSURANCE

Plastic pipe performance is tested in an accredited laboratory with international recognition for ISO 17025.

## CERTIFICATIONS AND COMPLIANCE

**NEMA TC-2**

**CSA C22.2 No.211.2**

**ANSI/UL 651**

## SIZES

1/2", 3/4", 1", 1 1/4", 1 1/2",  
2", 2 1/2", 3", 4" 6" and 8".

10/20 Feet length

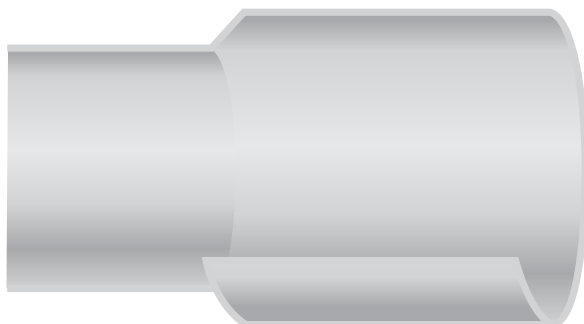
(Laying length tolerances are in accordance with approval standards).

## COLOR

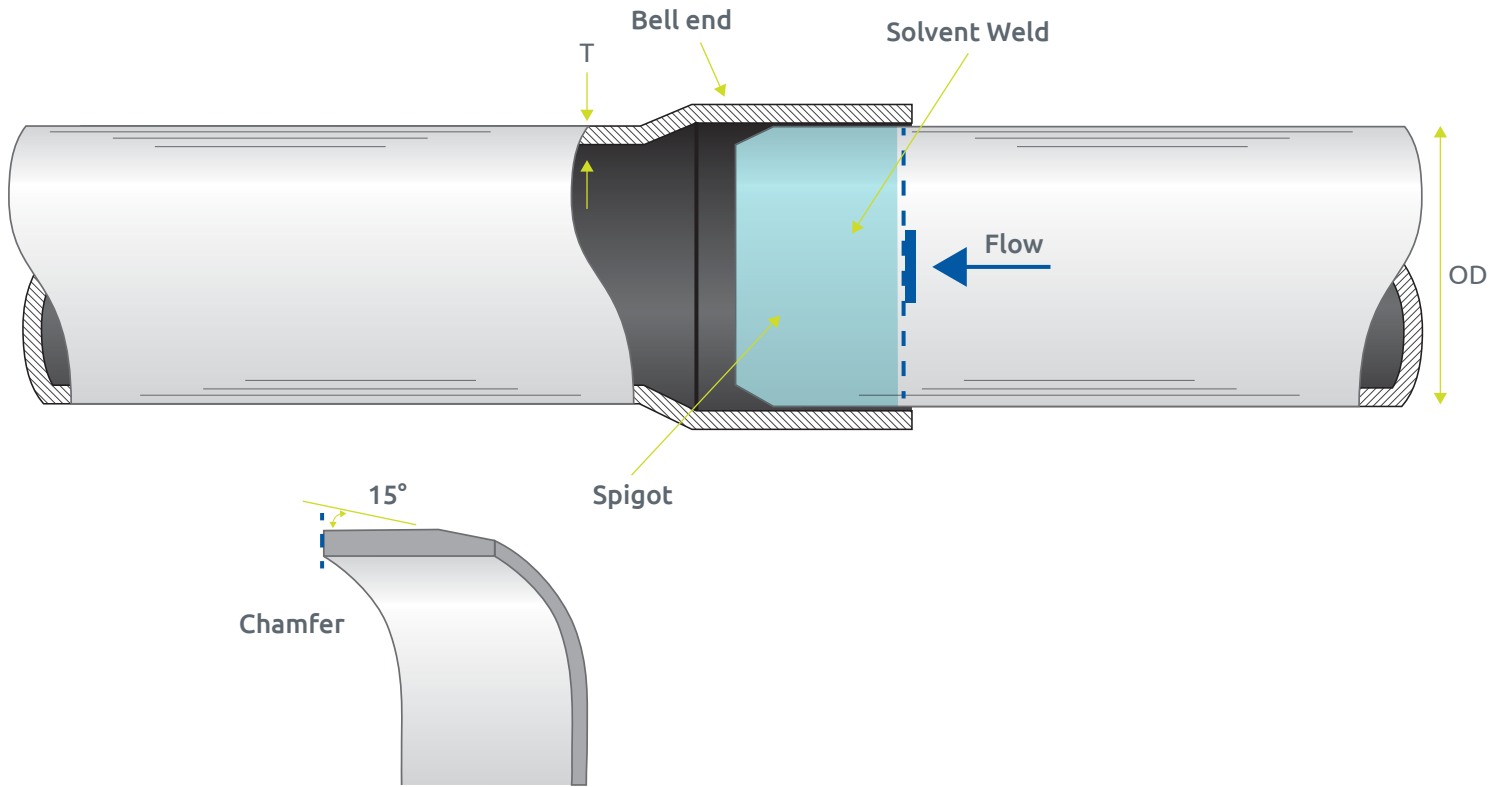


Grey

(Internal and external)



# Electrical Conduit Solvent Weld PVC Schedule 40



PIPE SIZE (in)	AVG. OD (in)	MIN. T (in)	PIPE STIFFNESS (psi)
1/2"	0.840	0.109	5,928
3/4"	1.050	0.113	3,136
1"	1.315	0.133	2,547
1 1/4"	1.660	0.140	1,397
1 1/2"	1.900	0.145	1,008
2"	2.375	0.154	596
2 1/2"	2.875	0.203	784
3"	3.500	0.216	509
4"	4.500	0.237	307
6"	6.625	0.280	154
8"	8.625	0.322	104

CERTIFIED COMPANY  
ISO 9001:2015

T-PSC-72000-26  
REV.00

Phone +52 (419) 198 8600  
Fax +52 (419) 198 4024  
corporativo@ptmexico.com  
ventas@ptmexico.com

Av. Montes Urales No. 8  
Parque Opción Los Nogales  
C.P. 37980  
San José Iturbide, Gto.

[www.ptmexico.com](http://www.ptmexico.com)